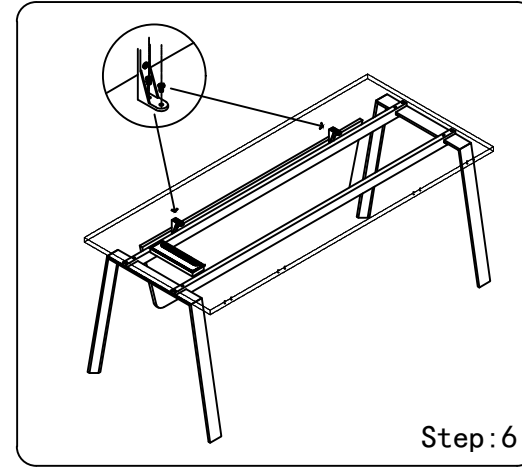
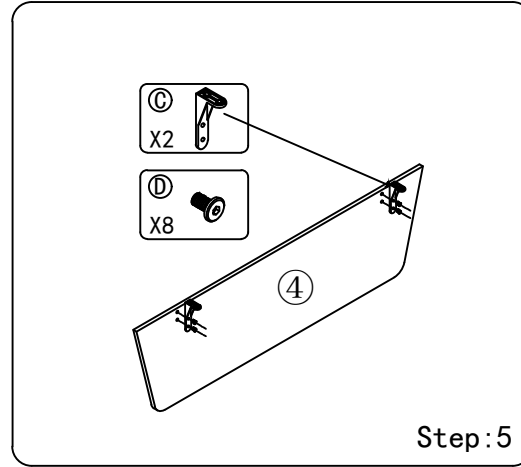
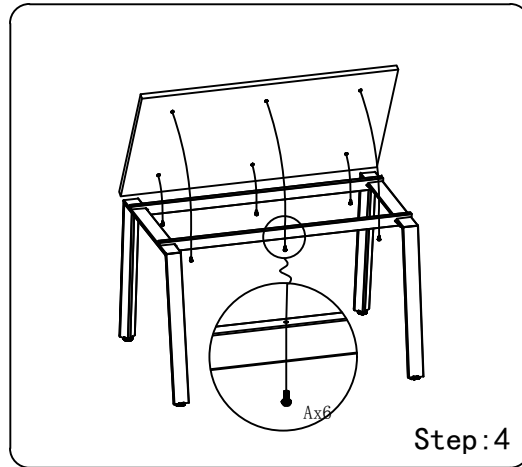
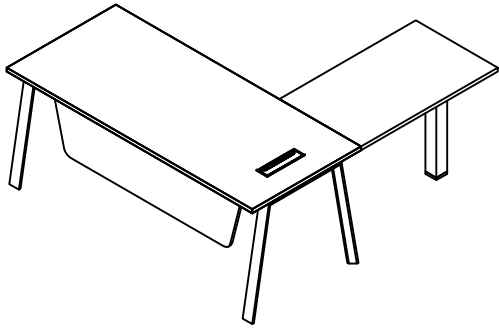
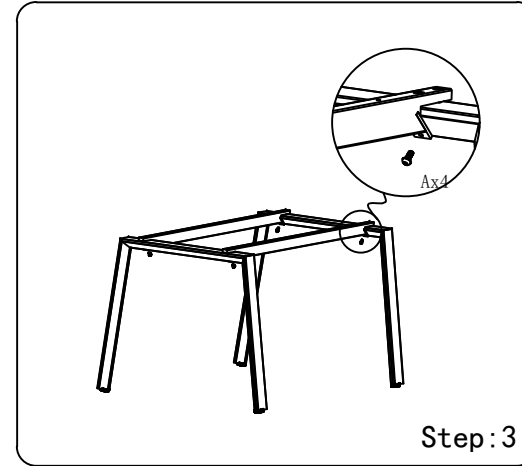
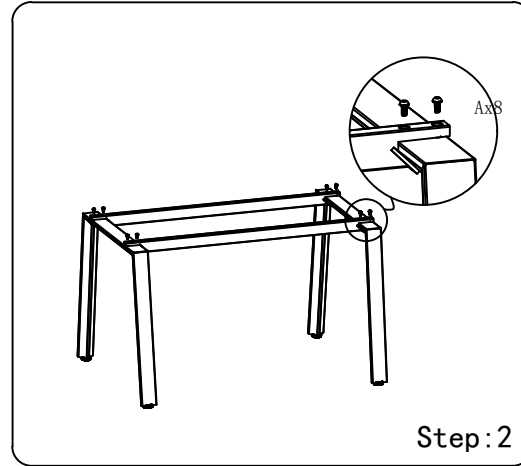
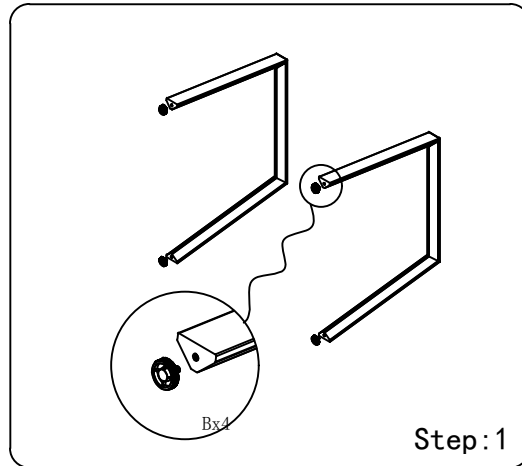


GAMMA-V Assembly Drawing

TOOLS

A X18	B X4
C X2	D X8
E X2	F X12



Series No	Specification (W*D*H)	Qty
①	1230*40*40	2
②	60*780*700	2
③	1400*800*25	1
④	1000*400*18	1
⑤	1000*600*25	1
⑥	80*80*725	1

