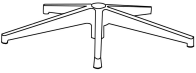


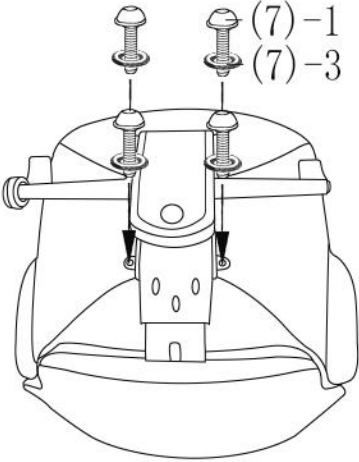
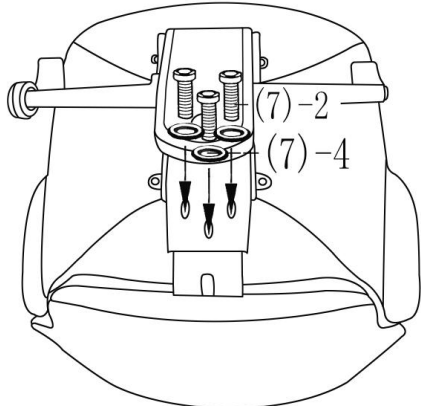
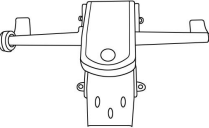


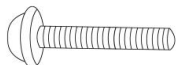
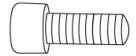


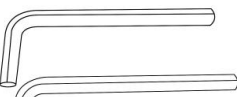

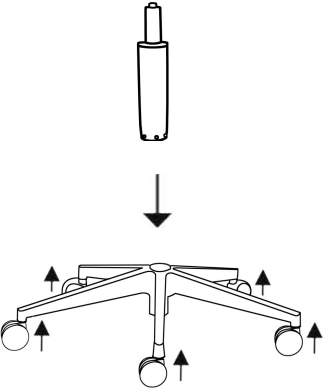
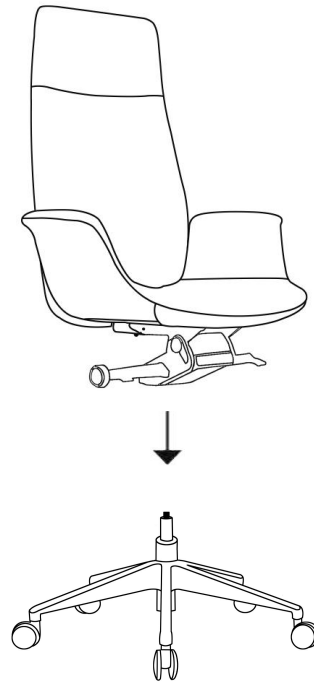

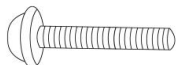
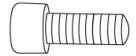


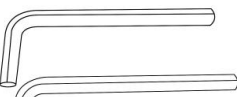

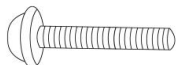
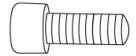


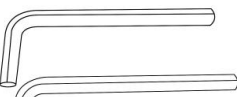



Assembling Instruction

<p>(1)Base</p> 	<p>(2) Casters</p>  <p>X5</p>	<p>(3) GasColumn</p> 	<p>A</p> 		<p>B</p> 																							
<p>(4) Mechanism</p> 	<p>(5) Back</p> 	<p>(6)Seat</p> 	<p>(7)Screws</p> <table border="0" data-bbox="179 869 761 1404"> <tr> <td>1.</td> <td></td> <td>X4</td> <td>6X20MM</td> </tr> <tr> <td>2.</td> <td></td> <td>X3</td> <td>8X20MM</td> </tr> <tr> <td>3.</td> <td></td> <td>X4</td> <td>6X16MM</td> </tr> <tr> <td>4.</td> <td></td> <td>X3</td> <td>8X20MM</td> </tr> <tr> <td>5.</td> <td></td> <td>X1</td> <td>5MM</td> </tr> <tr> <td>6.</td> <td></td> <td>X1</td> <td>6MM</td> </tr> </table> <p>C</p>  <p>D</p>  <p>E</p> 		1.		X4	6X20MM	2.		X3	8X20MM	3.		X4	6X16MM	4.		X3	8X20MM	5.		X1	5MM	6.		X1	6MM
1.		X4	6X20MM																									
2.		X3	8X20MM																									
3.		X4	6X16MM																									
4.		X3	8X20MM																									
5.		X1	5MM																									
6.		X1	6MM																									